

NEW

HIGH BRIGHTNESS VUV LIGHT SOURCE UNIT

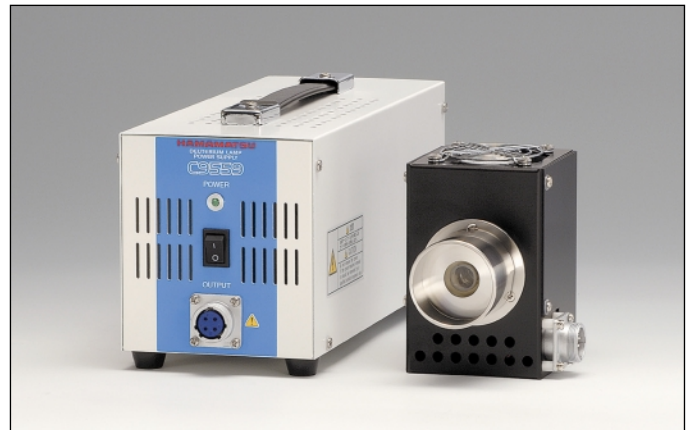
L10366 SERIES

OVERVIEW

The L10366 series are newly developed VUV (vacuum UV) light source units.

This product uses a "high-brightness deuterium lamp with MgF₂ window" that produces a high radiant intensity 4 times higher than conventional model.

This product is now a lot easier to handle due to use of an air-cooled structure and vacuum flange mount.



Left: Power supply, Right: Light source

TL50F0184

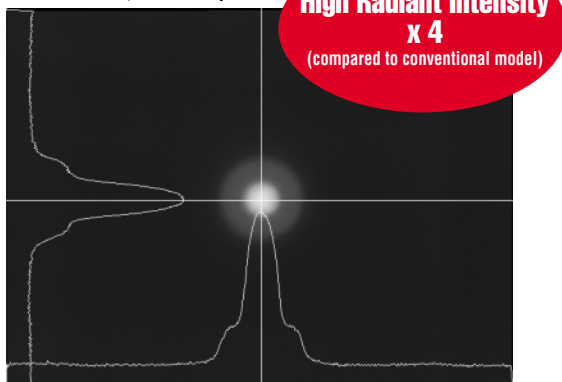
FEATURES

- **High Radiant Intensity: 4 Times** (compared to conventional model)
- **High VUV Intensity Down to 115 nm**
- **Air Cooling** (needs no cooling water)
- **External Control** (lamp ON/OFF, lamp ON status signal)
- **No Optical Axis Alignment Required**

ARC DISTRIBUTION (at 230 nm)

L10366 series

(Aperture size: $\phi 0.5$ mm)

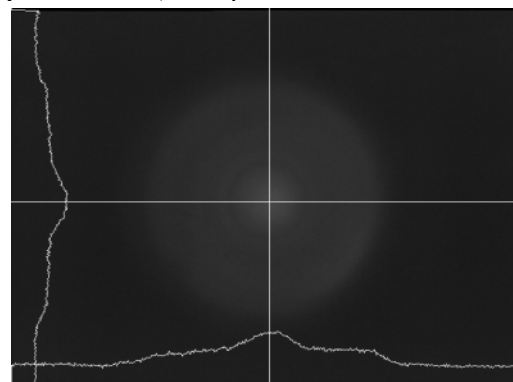


APPLICATIONS

- Spectrophotometer, Fluorophotometer
- Electrostatic Removal of Semiconductor Wafer, LCD Panel, etc.
- Photoionization Detector (PID)
- UV Resistance Testing of Various Material
- Optical Chemical Vapor Deposition (optical CVD)
- Excitation Light Source

Conventional type

(Aperture size: $\phi 1$ mm)



HAMAMATSU

PACKAGE CONTENTS

Type No.	Light Source	Vacuum Flange ^①	Power Supply	Light Source to Power Supply Cable	AC Cable
L10366	○	—	○	○	○
L10366-10	○	○(E3444)	○	○	○
L10366-11	○	○(E3444-01)	○	○	○
L10366-12	○	○(E3444-02)	○	○	○

① The vacuum flange E3444 series can be sold separately from the unit L10366 series.

SPECIFICATIONS

●GENERAL RATINGS

Parameter	Description/Value	Unit
Spectral Distribution	115 to 400	nm
Window Material	MgF ₂	—
Aperture Size (Arc Point)	φ0.5	mm
Cooling Method	Air-cooled	—
Operating Temperature Range	+10 to +35	°C
Operating Humidity Range	Below 80 % (No Condensation)	—

●RECOMMENDED OPERATING CONDITIONS AND CHARACTERISTICS (at 25 °C)

Parameter	Description/Value	Unit
Warm-up Time	25 ± 5	s
Output Stability	Fluctuation (p-p)	0.05
	Drift (Max.)	±0.3
Light Source Life ^②	at 230 nm	2000 (Guaranteed)
	at 160 nm	500 (Expected)
Input Voltage (AC)	100 V to 240 V (100 V / 200 V Auto Switching), Single Phase 50 Hz to 60 Hz	—
Power Consumption	140	VA

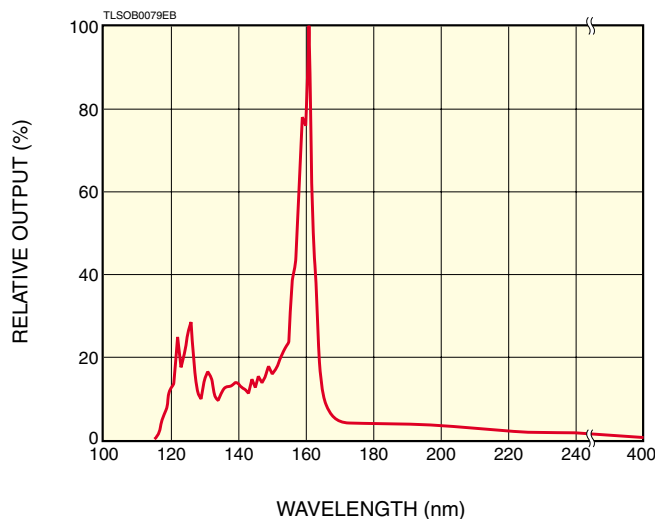
② The life end is defined as the time when the radiant output falls to 50 % of its initial value. Operating life depends on environmental conditions (vacuum atmosphere).

●VACUUM FLANGE

Parameter	E3444	E3444-01	E3444-02
Sealing Method		O-Ring	
Flange	Regular	JIS VF50	ICF114
Mount Flange	—	JIS VG50	ICF114
Sealing Force Retention	1.33 × 10 ⁻⁴ Pa L/s or Less (1 × 10 ⁻⁶ Torr L/s)		

SPECTRAL DISTRIBUTION

(VUV region; for reference only)

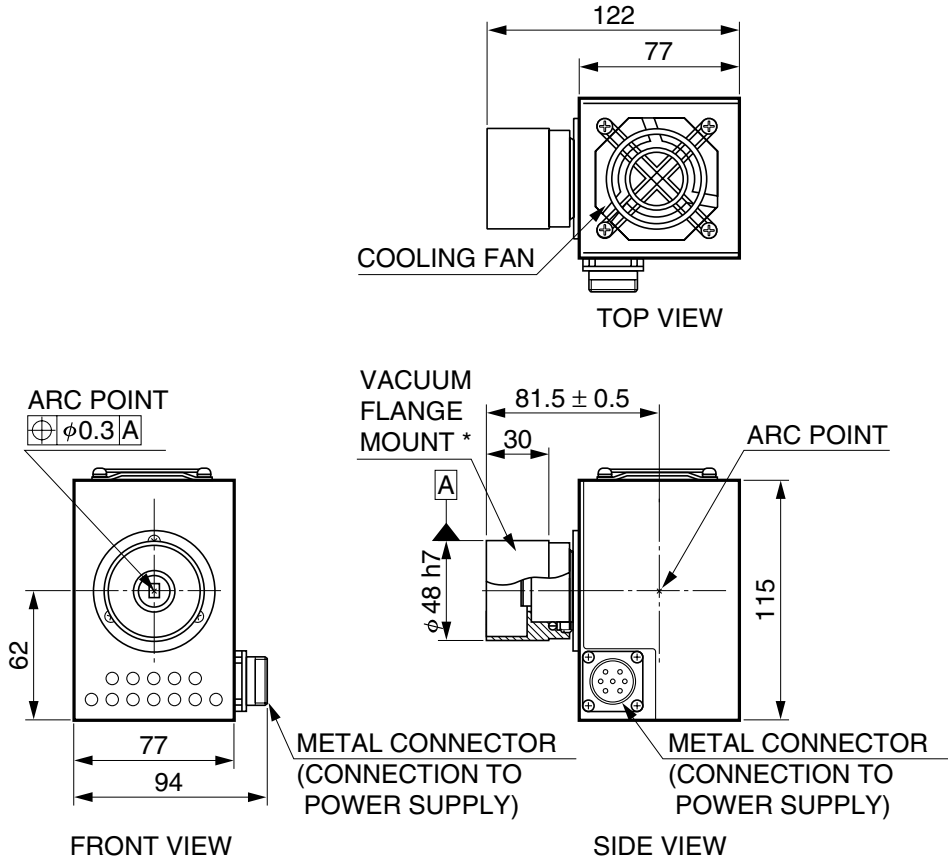


REPLACE LAMP SOURCE

Type No.	Light Source	Vacuum Flange
L10388	○	—
L10388-10	○	○(E3444)
L10388-11	○	○(E3444-01)
L10388-12	○	○(E3444-02)

DIMENSIONAL OUTLINES (Unit: mm)

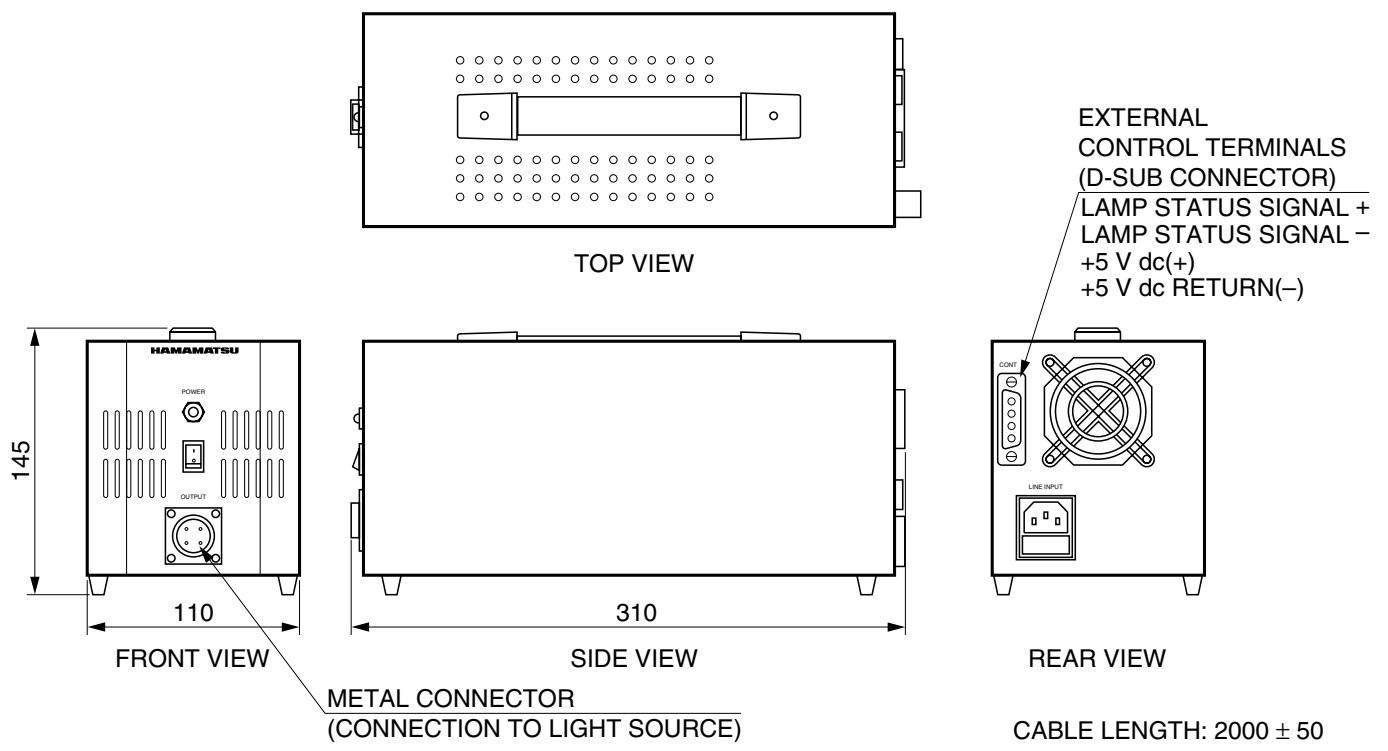
LIGHT SOURCE (Weight: Approx. 1 kg)



* Sealing Force Retention 1.33×10^{-4} Pa L/S or Less (1×10^{-6} Torr L/S)

TL50A0094EB

POWER SUPPLY (Weight: Approx. 2.8 kg)

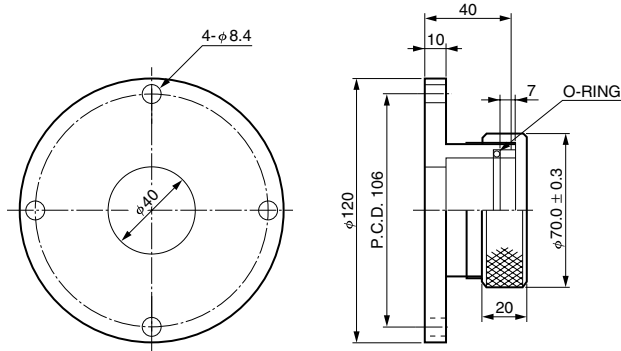


TL50A0095EB

DIMENSIONAL OUTLINES (Unit: mm)

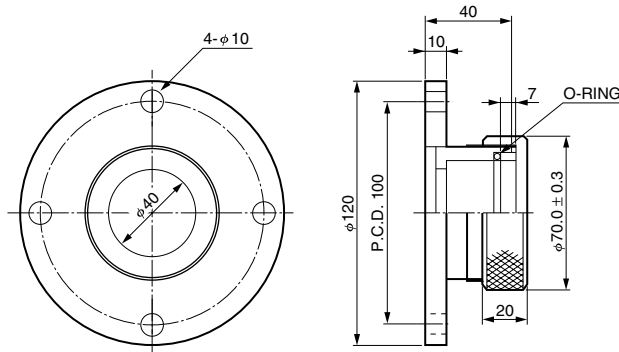
VACUUM FLANGE

E3444



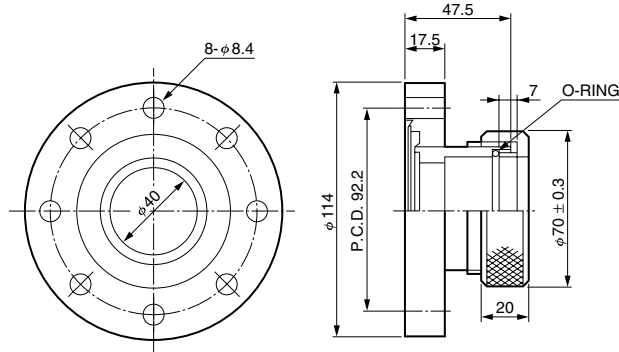
TLSOA0097EA

E3444-01



TLSOA0098EA

E3444-02



TLSOA0053EB

Subject to local technical requirements and regulations, availability of products included in this promotional material may vary. Please consult with our sales office. Information furnished by HAMAMATSU is believed to be reliable. However, no responsibility is assumed for possible inaccuracies or omissions. Specifications are subject to change without notice. No patent rights are granted to any of the circuits described herein. ©2006 Hamamatsu Photonics K.K.

HAMAMATSU

WEB SITE www.hamamatsu.com

HAMAMATSU PHOTONICS K.K., Electron Tube Division

314-5, Shimokanzo, Iwata City, Shizuoka Pref., 438-0193, Japan, Telephone: (81)539/62-5248, Fax: (81)539/62-2205

U.S.A.: Hamamatsu Corporation: 360 Foothill Road, P. O. Box 6910, Bridgewater, N.J. 08807-0910, U.S.A., Telephone: (1)908-231-0960, Fax: (1)908-231-1218 E-mail: usa@hamamatsu.com

Germany: Hamamatsu Photonics Deutschland GmbH: Arzbergerstr. 10, D-82211 Herrsching am Ammersee, Germany, Telephone: (49)8152-375-0, Fax: (49)8152-2658 E-mail: info@hamamatsu.de

France: Hamamatsu Photonics France S.A.R.L.: 19, Rue du Saule Traipu, Parc du Moulin de Massy, 91882 Massy Cedex, France, Telephone: (33)1 69 53 71 00, Fax: (33)1 69 53 71 10 E-mail: infos@hamamatsu.fr

United Kingdom: Hamamatsu Photonics UK Limited: 2 Howard Court, 10 Tewin Road Welwyn Garden City Hertfordshire AL7 1BW, United Kingdom, Telephone: 44-(0)1707-294888, Fax: 44(0)1707-325777 E-mail: info@hamamatsu.co.uk

North Europe: Hamamatsu Photonics Norden AB: Smidesvägen 12, SE-171-41 SOLNA, Sweden, Telephone: (46)8-509-031-00, Fax: (46)8-509-031-01 E-mail: info@hamamatsu.se

Italy: Hamamatsu Photonics Italia: S.R.L.: Strada della Moia, 1/E, 20020 Arese, (Milano), Italy, Telephone: (39)02-935 81 733, Fax: (39)02-935 81 741 E-mail: info@hamamatsu.it

TLSO1060E02
NOV. 2006 1P